



Magnetic Contactors Coil Control Voltages and Overload Comparison																
AC / Contactors	CC18	CC22	CC40	CC50	CC65	CC85	CC100	CC130	CC150	CC185	CC225	CC265	CC330	CC400	CC630	CC800
24 Vac	•	•	•	•	•	•	•	•	•	•	•					
48 Vac	•	•	•	•	•	•	•	•	•	•	•					
110 Vac	•	•	•	•	•	•	•	•	•	•	•	•	•	•	•	•
230 Vac	•	•	•	•	•	•	•	•	•	•	•	•	•	•	•	•
415 Vac	•	•	•	•	•	•	•	•	•	•	•	•	•	•	•	•
525 Vac								•	•	•	•	•	•	•	•	•
550 Vac	•	•	•	•	•	•	•									
DC / Contactors	CC18	CC22	CC40	CC50	CC65	CC85	CC100	CC130	CC150	CC185	CC225	CC265	CC330	CC400	CC630	CC800
12 Vdc	•	•	•	•	•	•	•									
24 Vdc	•	•	•	•	•	•	•	•	•	•	•					
48 Vdc	•	•	•	•	•	•	•	•	•	•	•					
110 Vdc	•	•	•	•	•	•	•	•	•	•	•	•	•	•		
220 Vdc	•	•	•	•	•	•	•	•	•	•	•	•	•	•		
230 Vdc											•	•	•	•		
240 Vdc											•					
TOR	CMT12	CMT32	CMT32	CMT63	CMT63	CMT95	CMT95	CMT150	CMT150	CMT225	CMT225	CMT400	CMT400	CMT400	CMT800	CMT800

Contactors & Thermal Overload Relays Compatibility									
Contactor	CC18	CC22	CC40	CC50 ~ CC65	CC85 ~ CC100	CC130 ~ CC150	CC185 ~ CC225	CC265 ~ CC330 ~ CC400	CC630 ~ CC800
	CDC18	CDC22	CDC40	CDC50 ~ CDC65	CDC85 ~ CDC100	CDC130 ~ CDC150			
Thermal Overload Relay	CMT12	CMT32	CMT32	CMT63	CMT95	CMT150	CMT225	CMT400	CMT800

Vins	690 V
Vimp	6 / 8 kV
Poles	3P

## Global Range Contactors



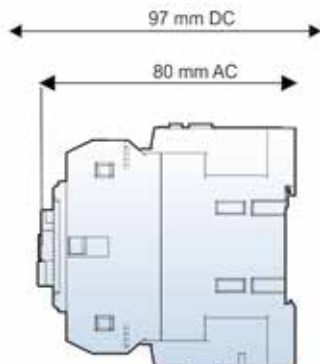
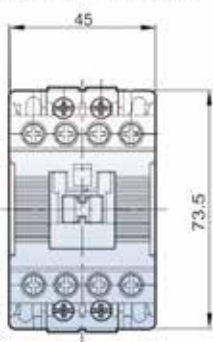
# GLOBAL RANGE

Global Range Contactors		CC - AC Coil		CDC - DC Coil		K3		
Type	AC-1	AC-3		Standard Aux Contacts		Price Ea.	Order No.	
	200 / 240 V	kW/A 380 / 440 V	kW/A 500 / 550 V	kW/A 1000 V	(a) Normally Open			(b) Normally Closed
CC18	32	7.5 (18)	7.5 (13)	-	1	-	R 490.00	CC18-__
CDC18	32	7.5 (18)	7.5 (13)	-	1	-	R 891.00	CDC18-__
CC22	40	11 (22)	15 (20)	-	1	-	R 735.00	CC22-__
CDC22	40	11 (22)	15 (20)	-	1	-	R 1 644.00	CDC22-__
CC40	60	18.5 (40)	22 (32)	22 (17)	2	2	R 1 361.00	CC40-__
CDC40	60	18.5 (40)	22 (32)	22 (17)	2	2	R 1 875.00	CDC40-__
CC50	70	22 (50)	30 (43)	30 (23)	2	2	R 1 750.00	CC50-__
CDC50	70	22 (50)	30 (43)	30 (23)	2	2	R 3 290.00	CDC50-__
CC65	100	30 (65)	33 (60)	33 (26)	2	2	R 2 314.00	CC65-__
CDC65	100	30 (65)	33 (60)	33 (26)	2	2	R 5 310.00	CDC65-__
CC85	135	45 (85)	45 (75)	45 (33)	2	2	R 2 799.00	CC85-__
CDC85	135	45 (85)	45 (75)	45 (33)	2	2	R 5 911.00	CDC85-__
CC100	160	55 (105)	55 (85)	45 (33)	2	2	R 3 500.00	CC100-__
CDC100	160	55 (105)	55 (85)	45 (33)	2	2	R 8 442.00	CDC100-__
CC130	160	60 (130)	60 (90)	75 (60)	2	2	R 5 118.00	CC130-__
CDC130	160	60 (130)	60 (90)	75 (60)	2	2	R 12 665.00	CDC130-__
CC150	210	75 (150)	70 (100)	90 (65)	2	2	R 7 462.00	CC150-__
CDC150	210	75 (150)	70 (100)	90 (65)	2	2	R 15 884.00	CDC150-__
CC185	230	90 (185)	110 (180)	132 (90)	2	2	R 8 450.00	CC185-__
CC225	275	132 (225)	132 (200)	140 (100)	2	2	R 9 594.00	CC225-__
CC265	300	147 (265)	147 (225)	147 (105)	2	2	R 9 594.00	CC265-__
CC330	350	160 (330)	160 (300)	160 (115)	2	2	R 17 559.00	CC330-__
CC400	450	200 (400)	225 (350)	185 (140)	2	2	R 22 477.00	CC400-__
CC630	660	330 (630)	330 (500)	355 (262)	2	2	R 31 180.00	CC630-__
CC800	900	440 (800)	500 (720)	400 (288)	2	2	R 40 088.00	CC800-__

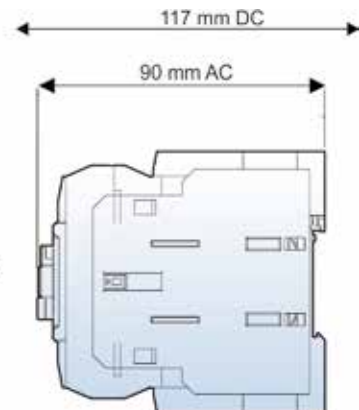
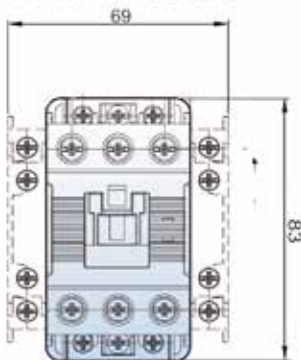
Please Note: Difference in dimension for AC and DC Contactors

Dimensions: mm

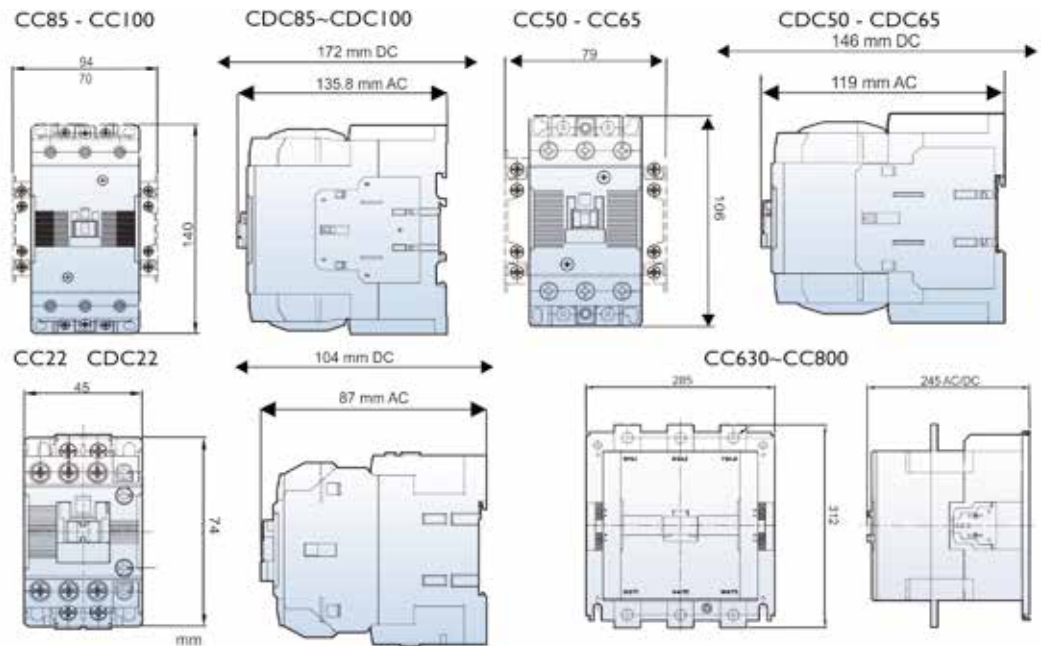
CC18 CDC18



CC40 CDC40



## Global Range Contactor Accessories



### Global Range Contactor Accessories

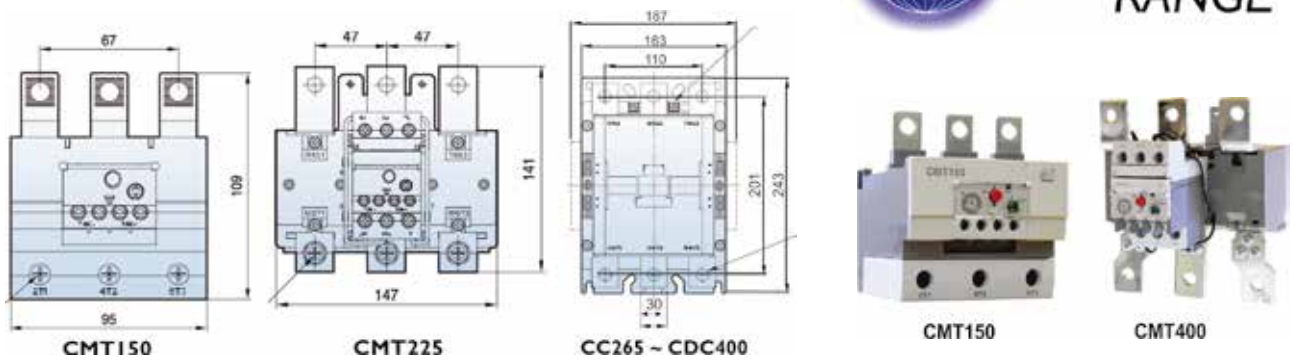
K

Description	Price Ea.	Order No.
Delay off - CC130 - 225 - 110 / 240 Vac	R 3 157.00	CCAD100-110
Delay off - CC265 - 400 - 110 / 240 Vac	R 6 362.00	CCAD300-110
Delay off - CC50 - 100 - 110 Vac	R 2 356.00	CCAD50-110
Delay off - CC50 - 100 - 220 Vac	R 2 356.00	CCAD50-220
Delay off - CC500 - 800 - 110 Vac	R 8 011.00	CCAD600-110
Delay off - CC500 - 800 - 220 Vac	R 8 011.00	CCAD600-220
Delay off - CC18 - 40 - 110 Vac	R 1 555.00	CCAD9-110
Delay off - CC18 - 40 - 220 Vac	R 1 555.00	CCAD9-220
Terminal Cover CC180 / 220	R 108.00	CCCT-AP220
Terminal Cover CC330 / 400	R 151.00	CCCT-AP400
Terminal Cover CC600 / 800	R 236.00	CCCT-AP800
E timer off delay 24 / 48 Vac / Vdc	R 1 178.00	CCET-UT1F
E timer off delay 24 / 48 Vac / Vdc	R 1 178.00	CCET-UT1N
E timer off delay 110 / 220 Vac / Vdc	R 1 178.00	CCET-UT2F
E timer off delay 110 / 220 Vac / Vdc	R 1 178.00	CCET-UT2N
Mech interlock CC180 / 400	R 812.00	CCMI-AR180
Mech interlock CC600H	R 7 991.00	CCMI-AR600H
Mech interlock CC600V	R 7 991.00	CCMI-AR600V
Mech interlock CC18 / 95	R 496.00	CCMI-UR02
Safety Cover CC18-85	R 4.00	CCSC-AP9
Aux side - 18-150 - 1NO / 1NC	R 127.00	CCUA-1AB
Aux side - 185-800 - 1NO / 1NC	R 332.00	CCUA-100
Aux top - 2NO	R 117.00	CCUA-2A
Aux top - 1NO / 1NC	R 117.00	CCUA-2AB
Aux top - 2NC	R 117.00	CCUA-2B
Aux top - 4NO	R 168.00	CCUA-4A
Aux top - 2NO / 2NC	R 168.00	CCUA-4AB
Aux top - 1NO / 3NC	R 168.00	CCUA-4A3B
Aux top - 3NO / 1NC	R 180.00	CCUA-43AB
Aux top - 4NC	R 168.00	CCUA-4B

## Global Range Thermal Overload Relays



Global Range Thermal Overload Relays					K5	
Type	Contactor Size	Nominal Amps	Setting Amps	Price Ea.	Order No.	
CMT12-3H-0.14A	CC18 CDC18	0.14	0.1 ~ 0.16	R 364.00	CMT12-0.14	
CMT12-3H-0.21A		0.21	0.16 ~ 0.25	R 364.00	CMT12-0.21	
CMT12-3H-0.33A		0.33	0.25 ~ 0.4	R 364.00	CMT12-0.33	
CMT12-3H-0.52A		0.52	0.4 ~ 0.63	R 364.00	CMT12-0.52	
CMT12-3H-0.82A		0.82	0.63 ~ 1	R 364.00	CMT12-0.82	
CMT12-3H-1.3A		1.3	1 ~ 1.6	R 364.00	CMT12-1.3	
CMT12-3H-2.1A		2.1	1.6 ~ 2.5	R 364.00	CMT12-2.1	
CMT12-3H-3.3A		3.3	2.5 ~ 4	R 364.00	CMT12-3.3	
CMT12-3H-5A		5	4 ~ 6	R 364.00	CMT12-5	
CMT12-3H-6.5A		6.5	5 ~ 8	R 364.00	CMT12-6.5	
CMT12-3H-7.5A		7.5	6 ~ 9	R 364.00	CMT12-7.5	
CMT12-3H-8.5A		8.5	7 ~ 10	R 364.00	CMT12-8.5	
CMT12-3H-11A		CMT12 (Dimensions) 45 x 73.2 x 63.7 mm	11	9 ~ 13	R 364.00	CMT12-11
CMT12-3H-15A			15	12 ~ 18	R 364.00	CMT12-15
CMT32-3H-0.14A	CC22 CDC22 CC40 CDC40	0.14	0.1 ~ 0.16	R 471.00	CMT32-0.14	
CMT32-3H-0.21A		0.21	0.16 ~ 0.25	R 471.00	CMT32-0.21	
CMT32-3H-0.33A		0.33	0.25 ~ 0.4	R 471.00	CMT32-0.33	
CMT32-3H-0.52A		0.52	0.4 ~ 0.63	R 471.00	CMT32-0.52	
CMT32-3H-0.82A		0.82	0.63 ~ 1	R 471.00	CMT32-0.82	
CMT32-3H-1.3A		1.3	1 ~ 1.6	R 471.00	CMT32-1.3	
CMT32-3H-2.1A		2.1	1.6 ~ 2.5	R 471.00	CMT32-2.1	
CMT32-3H-3.3A		3.3	2.5 ~ 4	R 471.00	CMT32-3.3	
CMT32-3H-5A		5	4 ~ 6	R 471.00	CMT32-5	
CMT32-3H-6.5A		6.5	5 ~ 8	R 471.00	CMT32-6.5	
CMT32-3H-7.5A		7.5	6 ~ 9	R 471.00	CMT32-7.5	
CMT32-3H-8.5A		8.5	7 ~ 10	R 471.00	CMT32-8.5	
CMT32-3H-11A		11	9 ~ 13	R 471.00	CMT32-11	
CMT32-3H-15A		15	12 ~ 18	R 471.00	CMT32-15	
CMT32-3H-19A		19	16 ~ 22	R 471.00	CMT32-19	
CMT32-3H-21.5A		21.5	18 ~ 25	R 471.00	CMT32-21.5	
CMT32-3H-27A		CMT32 (Dimensions) 45 x 75 x 90 mm	27	22 ~ 32	R 471.00	CMT32-27
CMT32-3H-34A			34	24 ~ 36	R 471.00	CMT32-34
CMT63-3H-5A	CC50 CDC50 CC65 CDC65	5	4 ~ 6	R 786.00	CMT63-5	
CMT63-3H-6.5A		6.5	5 ~ 8	R 786.00	CMT63-6.5	
CMT63-3H-7.5A		7.5	6 ~ 9	R 786.00	CMT63-7.5	
CMT63-3H-8.5A		8.5	7 ~ 10	R 786.00	CMT63-8.5	
CMT63-3H-11A		11	9 ~ 13	R 786.00	CMT63-11	
CMT63-3H-15A		15	12 ~ 18	R 786.00	CMT63-15	
CMT63-3H-19A		19	16 ~ 22	R 786.00	CMT63-19	
CMT63-3H-21.5A		21.5	18 ~ 25	R 786.00	CMT63-21.5	
CMT63-3H-30A		30	22 ~ 32	R 786.00	CMT63-30	
CMT63-3H-34A		34	24 ~ 36	R 786.00	CMT63-34	
CMT63-3H-42A		CMT63 (Dimensions) 55 x 81 x 100 mm	42	34 ~ 50	R 786.00	CMT63-42
CMT63-3H-55A			55	45 ~ 65	R 786.00	CMT63-55

**Global Range Thermal Overload Relays**


Global Range Thermal Overload Relays					K5
Type	Contactors Size	Nominal Amps	Setting Amps	Price Ea.	Order No.
CMT95-3H-8.5A	CC85	8.5	7 ~ 10	R 983.00	CMT95-8.5
CMT95-3H-11A	CDC85	11	9 ~ 13	R 983.00	CMT95-11
CMT95-3H-15A	CC100	15	12 ~ 18	R 983.00	CMT95-15
CMT95-3H-19A	CDC100	19	16 ~ 22	R 983.00	CMT95-19
CMT95-3H-21.5A		21.5	18 ~ 25	R 983.00	CMT95-21.5
CMT95-3H-30A		30	24 ~ 36	R 983.00	CMT95-30
CMT95-3H-34A		34	28 ~ 40	R 983.00	CMT95-34
CMT95-3H-42A		42	34 ~ 50	R 983.00	CMT95-42
CMT95-3H-55A		55	45 ~ 65	R 983.00	CMT95-55
CMT95-3H-65A		65	54 ~ 75	R 983.00	CMT95-65
CMT95-3H-74A		74	63 ~ 85	R 983.00	CMT95-74
CMT95-3H-83A	CMT95 (Dimensions) 70 x 97 x 110 mm	83	70 ~ 95	R 983.00	CMT95-83
CMT95-3H-90A		90	80 ~ 100	R 983.00	CMT95-90
CMT150-3H-42A	CC130	42	34 ~ 50	R 1 332.00	CMT150-42
CMT150-3H-55A	CDC130	55	45 ~ 65	R 1 332.00	CMT150-55
CMT150-3H-65A	CC150	65	54 ~ 75	R 1 332.00	CMT150-65
CMT150-3H-74A	CDC150	74	63 ~ 85	R 1 332.00	CMT150-74
CMT150-3H-93A		93	80 ~ 105	R 1 332.00	CMT150-93
CMT150-3H-113A	CMT150 (Dimensions) 95 x 109 x 113 mm	113	95 ~ 130	R 1 332.00	CMT150-113
CMT150-3H-130A		130	110 ~ 150	R 1 332.00	CMT150-130
CMT225-3H-80A	CC185	80	65 ~ 100	R 3 161.00	CMT225-80
CMT225-3H-107A	CC225	107	85 ~ 125	R 3 161.00	CMT225-107
CMT225-3H-130A		130	100 ~ 160	R 3 161.00	CMT225-130
CMT225-3H-153A		153	120 ~ 185	R 3 161.00	CMT225-153
CMT225A-3H-200A	CMT225 (Dimensions) 147 x 141 x 184 mm	200	160 ~ 240	R 3 161.00	CMT225-200
CMT400-3H-107A	CC265	107	85 ~ 125	R 3 605.00	CMT400-107
CMT400-3H-130A	CC330	130	100 ~ 160	R 3 605.00	CMT400-130
CMT400-3H-153A	CC400	153	120 ~ 185	R 3 605.00	CMT400-153
CMT400-3H-200A		200	160 ~ 240	R 3 605.00	CMT400-200
CMT400-3H-265A	CMT400 (Dimensions) 151 x 171 x 198 mm	265	200 ~ 330	R 3 605.00	CMT400-265
CMT400-3H-350A		350	260 ~ 400	R 3 605.00	CMT400-350
CMT800-3H-265A	CC630	265	200 ~ 300	R 6 486.00	CMT800-265
CMT800-3H-350A	CC800	350	260 ~ 400	R 6 486.00	CMT800-350
CMT800-3H-515A	CMT800 (Dimensions) 360 x 530 x 212 mm	515	400 ~ 600	R 6 486.00	CMT800-515
CMT800-3H-660A		660	520 ~ 800	R 6 486.00	CMT800-660

## Global Range Manual Motor Starters



CMS-63H



CMS-32H



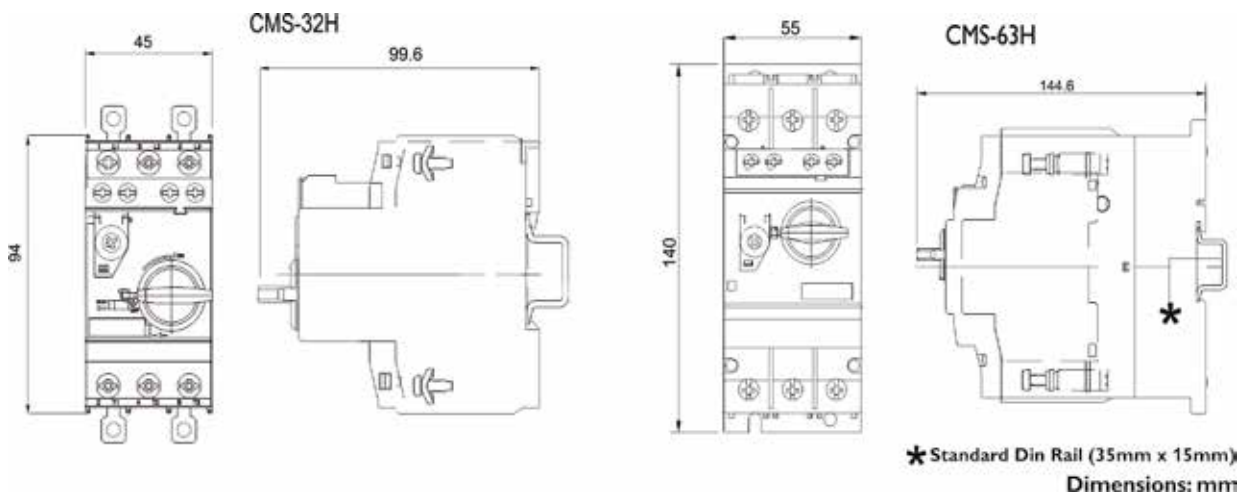
**GLOBAL  
RANGE**

Global Range Manual Motor Starters											K
Type	Poles	Ui (V)	Uimp (kV)	Rating (kA)						Price Ea.	Order No.
				415 V		525 V		690 V			
				Icu	Ics	Icu	Ics	Icu	Ics		
Manual Motor Starter 32H - 0.16A	3	690	6	100	100	100	100	100	100	R 672.00	CMS-32H-0.16
Manual Motor Starter 32H - 0.25A	3	690	6	100	100	100	100	100	100	R 672.00	CMS-32H-0.25
Manual Motor Starter 32H - 0.4A	3	690	6	100	100	100	100	100	100	R 672.00	CMS-32H-0.4
Manual Motor Starter 32H - 0.63A	3	690	6	100	100	100	100	100	100	R 718.00	CMS-32H-0.63
Manual Motor Starter 32H - 1A	3	690	6	100	100	100	100	100	100	R 815.00	CMS-32H-1
Manual Motor Starter 32H - 1.6A	3	690	6	100	100	100	100	100	100	R 815.00	CMS-32H-1.6
Manual Motor Starter 32H - 2.5A	3	690	6	100	100	100	100	8	8	R 815.00	CMS-32H-2.5
Manual Motor Starter 32H - 4A	3	690	6	100	100	100	100	8	8	R 815.00	CMS-32H-4
Manual Motor Starter 32H - 6A	3	690	6	100	100	100	100	6	6	R 815.00	CMS-32H-6
Manual Motor Starter 32H - 8A	3	690	6	100	100	50	38	6	6	R 815.00	CMS-32H-8
Manual Motor Starter 32H - 10A	3	690	6	100	100	50	38	6	6	R 953.00	CMS-32H-10
Manual Motor Starter 32H - 13A	3	690	6	100	100	42	32	6	6	R 961.00	CMS-32H-13
Manual Motor Starter 32H - 17A	3	690	6	50	38	10	8	4	4	R 961.00	CMS-32H-17
Manual Motor Starter 32H - 22A	3	690	6	50	38	10	8	4	4	R 1 029.00	CMS-32H-22
Manual Motor Starter 32H - 26A	3	690	6	50	38	10	8	4	4	R 1 210.00	CMS-32H-26
Manual Motor Starter 32H - 32A	3	690	6	50	38	10	8	4	4	R 1 583.00	CMS-32H-32
Manual Motor Starter 63H - 10A	3	1000	8	100	100	50	38	6	5	R 1 853.00	CMS-63H-10
Manual Motor Starter 63H - 13A	3	1000	8	100	100	42	32	6	5	R 1 853.00	CMS-63H-13
Manual Motor Starter 63H - 17A	3	1000	8	50	50	12	9	5	5	R 1 853.00	CMS-63H-17
Manual Motor Starter 63H - 22A	3	1000	8	50	50	12	9	5	5	R 1 853.00	CMS-63H-22
Manual Motor Starter 63H - 26A	3	1000	8	50	50	12	9	5	5	R 2 169.00	CMS-63H-26
Manual Motor Starter 63H - 32A	3	1000	8	50	50	10	8	5	5	R 2 290.00	CMS-63H-32
Manual Motor Starter 63H - 40A	3	1000	8	50	50	10	8	5	5	R 3 015.00	CMS-63H-40
Manual Motor Starter 63H - 50A	3	1000	8	50	50	10	8	5	5	R 3 320.00	CMS-63H-50
Manual Motor Starter 63H - 63A	3	1000	8	50	50	10	8	5	5	R 3 489.00	CMS-63H-63

## Global Range Manual Motor Starter Accessories



Global Range Manual Motor Starter Accessories		K
Description	Price Ea.	Order No.
Auxiliary top fit 1NO / 1NC	R 443.00	CMS-AUXT
Auxiliary side fit left 1NO / 1NC	R 521.00	CMS-AUXL
Trip all side 1NO / 1NC	R 661.00	CMS-ALL
Shunt trip 24 V right	R 1 116.00	CMS-SHTR-24
Shunt trip 110 V right	R 1 116.00	CMS-SHTR-110
Shunt trip 230 V right	R 1 116.00	CMS-SHTR-230
Shunt trip 415 V right	R 1 116.00	CMS-SHTR-415
Under voltage trip 24 V right	R 1 116.00	CMS-UVTR-24
Under voltage trip 110 V right	R 1 116.00	CMS-UVTR-110
Under voltage trip 230 V right	R 1 116.00	CMS-UVTR-230
Under voltage trip 415 V right	R 1 116.00	CMS-UVTR-415
Rotary handle 32H	R 1 318.00	CMS-H32H
Rotary handle 63H	R 1 318.00	CMS-H63H
3Ø busbar 32H	R 916.00	CMS-PB323
3Ø busbar 63H	R 1 004.00	CMS-PB633
Adaptor base 32H	R 382.00	CMS-MU45
Adaptor base 63H	R 637.00	CMS-MU55
Direct adaptor 32H	R 385.00	CMS-DA32H
Direct adaptor 63H	R 461.00	CMS-DA63H



## Mitsubishi Series S-T New Models Launched

### Mitsubishi Series S-N - AC Contactor, AC Coil ST + SN



S-T21

Magnetic Contactors Series S-N											K
Type <sup>2</sup>	Rated Continuous Current	AC-1		AC-3		AC-4		Standard Aux Contacts <sup>1</sup>		Price Ea.	Order No.
		380 V / 440 V (A)	525 V (A)	380 V / 440 V kW (A)	525 V kW (A)	380 V / 440 V kW (A)	525 V kW (A)	Normally Open	Normally Closed		
ST10	20	11	8	4 (9)	4 (7)	2.2 (6)	2.7 (6)	1	-	R 435.00	ST10__
ST12	20	13	11	5.5 (12)	5.5 (9)	4 (9)	5.5 (9)	1	1	R 598.00	ST12__
ST20	25	20	16	7.5 (18)	7.5 (17)	5.5 (13)	5.5 (10)	1	1	R 718.00	ST20__
ST21	32	32	32	11 (23)	11 (17)	5.5 (13)	5.5 (10)	2	2	R 974.00	ST21__
ST25	32	32	32	15 (30)	15 (24)	7.5 (17)	7.5 (12)	2	2	R 1 211.00	ST25__
ST35	60	60	60	18.5 (40)	18.5 (32)	11 (24)	11 (17)	2	2	R 1 558.00	ST35__
ST50	80	80	80	22 (50)	25 (38)	15 (32)	15 (24)	2	2	R 1 996.00	ST50__
ST65	100	100	100	30 (65)	37 (60)	22 (47)	22 (38)	2	2	R 2 455.00	ST65__
ST80	120	120	120	45 (85)	45 (75)	30 (62)	30 (45)	2	2	R 3 646.00	ST80__
ST100	150	150	150	55 (105)	55 (85)	37 (75)	37 (55)	2	2	R 4 676.00	ST100__
SN125	150	150	150	60 (120)	60 (90)	22 (90)	22 (90)	2	2	R 5 272.00	SN125__
SN150	200	200	200	75 (150)	90 (140)	30 (110)	37 (80)	2	2	R 7 686.00	SN150__
SN180	260	260	260	90 (180)	110 (180)	37 (150)	45 (140)	2	2	R 8 703.00	SN180__
SN220	260	260	260	132 (250)	132 (200)	45 (180)	55 (140)	2	2	R 9 882.00	SN220__
SN300	350	350	350	160 (300)	160 (250)	60 (220)	60 (200)	2	2	R 18 085.00	SN300__
SN400	450	450	450	220 (400)	225 (350)	75 (300)	90 (250)	2	2	R 23 151.00	SN400__
SN600	800	660	660	330 (630)	330 (500)	110 (400)	130 (350)	2	2	R 32 115.00	SN600__
SN800	1000	800	800	440 (800)	500 (720)	130 (630)	150 (500)	2	2	R 41 291.00	SN800__

Notes:

DIN rail mounting for all contactors up to ST-65

- Extra auxiliary contact blocks can be added (refer to contactor spares and accessories)
- When ordering please specify coil voltage e.g. ST10-400

Insulation Voltage: 690 V  
Impulse Withstand: 6 kV  
Poles: 3

Note: Ratings based on 1 x 10<sup>6</sup> operations

These units have finger protection on terminals as standard

Standard coil voltages are 100 V, 220 V, 400 V and 525 V

Contactor Utilisation Categories (IEC 60947-4)	
Alternating Current	
AC-1	All AC loads with a power factor ≥ 0.80 <ul style="list-style-type: none"> <li>heating resistive load</li> </ul>
AC-3	Starting and stopping squirrel cage motors <ul style="list-style-type: none"> <li>starting ± 7 times rated motor current</li> <li>stopping the voltage is at ± 20% of mains supply voltage</li> <li>lighting load</li> </ul>
AC-4	Plugging and inching of squirrel cage <ul style="list-style-type: none"> <li>closing and operating at ± 7 times rated motor current</li> <li>severe braking</li> </ul>
AC-15	Control loads (72 VA) Aux contact ratings AC
Direct Current	
DC-13	Aux contact ratings DC



## Mitsubishi Magnetic Contactor Series S-N Accessories



Magnetic Contactors Series S-N Contact Coils		K
Description	Price Ea.	Order No.
ST65	R 434.00	SN50-___C
ST80	R 733.00	SN80-___C
ST100	R 733.00	SN80-___C
SN125	R 1 865.00	SN125-___C
SN150	R 1 865.00	SN125 - ___C
SN180	R 2 193.00	SN180-___C
SN220	R 2 193.00	SN180-___C
SN300	R 2 884.00	SN300-___C
SN400	R 2 884.00	SN300-___C
SN600	R 2 884.00	SN600-___C
SN800	R 2 884.00	SN600-___C

**Notes:**

New ST range has wider operating tolerances  
 ST range up to ST65 no coils available

## Mitsubishi Accessories



Accessories												K
Order No	Mechanical Interlock					Front Clip-on Aux Contact Block (1, 2)		Side Clip-on Aux Contact Block (1, 3)	Side Clip-on Aux Contact Block			
	UTML11	UTML21	UTML80	UNML150	UNML220	UTAX2 (1A,1B) UTAX2CX2A (2A) UTAX2CX2B (2B)	UTAX4 (2A,2B) UTAX4CX3A (3A,1B) UTAX4CX4A (4A)	UNAX11 (1A,1B)	UNAX80 (1A,1B)	UNAX150 (1A,1B)	UNAX600 (2A,2B)	
Type	Price Ea.											
ST10	R 510.00	-	-	-	-	R 244.00	R 320.00	R 330.00	-	-	-	
ST12	R 510.00	-	-	-	-	R 244.00	R 320.00	R 330.00	-	-	-	
ST20	R 510.00	-	-	-	-	R 244.00	R 320.00	R 330.00	-	-	-	
ST21	-	R 655.00	-	-	-	R 244.00	R 320.00	R 330.00	-	-	-	
ST25	-	R 655.00	-	-	-	R 244.00	R 320.00	R 330.00	-	-	-	
ST35	-	R 655.00	-	-	-	R 244.00	R 320.00	R 330.00	-	-	-	
ST50	-	R 655.00	-	-	-	R 244.00	R 320.00	R 330.00	-	-	-	
ST65	-	R 655.00	-	-	-	R 244.00	R 320.00	R 330.00	-	-	-	
ST80	-	R 655.00	-	-	-	-	-	-	R 320.00	-	-	
ST100	-	-	R 633.00	-	-	-	-	-	R 320.00	-	-	
SN125	-	-	R 633.00	-	-	-	-	-	R 320.00	-	-	
SN150	-	-	-	R 838.00	-	-	-	-	-	R 342.00	-	
SN180	-	-	-	-	R 838.00	-	-	-	-	R 342.00	-	
SN220	-	-	-	-	R 838.00	-	-	-	-	R 342.00	-	
SN300	-	-	-	-	R 838.00	-	-	-	-	R 342.00	-	
SN400	-	-	-	-	R 838.00	-	-	-	-	R 342.00	-	
SN600	-	-	-	-	-	-	-	-	-	-	R 2 429.00	
SN800	-	-	-	-	-	-	-	-	-	-	R 2 429.00	

Notes:

- A N/O - Normally open contacts
- B N/C - Normally closed contacts

## Mitsubishi Series TH-T Thermal Overload Relays Series TH-T 3 Heater Type



THT18

Type	Contactor Size	Overload Size Amps	Nominal Range Amps	Price Ea.
<b>TH-T18 <sup>1</sup></b>				<b>K</b>
THT18-0.17	ST10 ST12 ST20	0.17 A	0.14 A to 0.22 A	R 375.00
THT18-0.24		0.24 A	0.2 A to 0.32 A	R 375.00
THT18-0.35		0.35 A	0.28 A to 0.42 A	R 375.00
THT18-0.5		0.5 A	0.4 A to 0.6 A	R 375.00
THT18-0.7		0.7 A	0.55 A to 0.85 A	R 375.00
THT18-0.9		0.9 A	0.7 A to 1.1 A	R 375.00
THT18-1.3		1.3 A	1.0 A to 1.6 A	R 375.00
THT18-1.7		1.7 A	1.4 A to 2.0 A	R 375.00
THT18-2.1		2.1 A	1.7 A to 2.5 A	R 375.00
THT18-2.5		2.5 A	2.0 A to 3.0 A	R 375.00
THT18-3.6		3.6 A	2.8 A to 4.4 A	R 375.00
THT18-5		5 A	4.0 A to 6.0 A	R 375.00
THT18-6.6		6.6 A	5.2 A to 8.0 A	R 375.00
THT18-9		9 A	7.0 A to 11.0 A	R 375.00
THT18-11		11 A	9.0 A to 13.0 A	R 375.00
THT18-15	15 A	12.0 A to 18.0 A	R 375.00	
<b>TH-T25 <sup>2</sup></b>				<b>K</b>
THT25-0.24	ST21 ST25 ST35 ST50	0.24 A	0.2 A to 0.32 A	R 485.00
THT25-0.35		0.35 A	0.28 A to 0.42 A	R 485.00
THT25-0.5		0.5 A	0.4 A to 0.6 A	R 485.00
THT25-0.7		0.7 A	0.55 A to 0.85 A	R 485.00
THT25-0.9		0.9 A	0.7 A to 1.1 A	R 485.00
THT25-1.3		1.3 A	1.0 A to 1.6 A	R 485.00
THT25-1.7		1.7 A	1.4 A to 2.0 A	R 485.00
THT25-2.1		2.1 A	1.7 A to 2.5 A	R 485.00
THT25-2.5		2.5 A	2.0 A to 3.0 A	R 485.00
THT25-3.6		3.6 A	2.8 A to 4.4 A	R 485.00
THT25-5		5 A	4.0 A to 6.0 A	R 485.00
THT25-6.6		6.6 A	5.2 A to 8.0 A	R 485.00
THT25-9		9 A	7.0 A to 11.0 A	R 485.00
THT25-11		11 A	9.0 A to 13.0 A	R 485.00
THT25-15		15 A	12.0 A to 18.0 A	R 485.00
THT25-22	22 A	18.0 A to 26.0 A	R 485.00	

Notes:

1. For direct connection to contractors
2. For the correct connecting links to contactors see thermal overload accessories

## Mitsubishi Series TH-T Thermal Overload Relays Series TH-T 3 Heater Type



Type <sup>1</sup>	Contactor Size	Overload Size Amps	Nominal Range Amps	Price Ea.
<b>TH-T50</b>				<b>K</b>
THT50-29	ST35 ST50	29 A	24 A to 34 A	R 486.00
THT50-35		35 A	30 A to 40 A	R 486.00
THT50-42		42 A	34 A to 50 A	R 791.00
<b>TH-T65</b>				<b>K</b>
THT65-15	ST65 ST80	15 A	12 A to 18 A	R 811.00
THT65-22		22 A	18 A to 26 A	R 811.00
THT65-29		29 A	24 A to 34 A	R 811.00
THT65-35		35 A	30 A to 40 A	R 811.00
THT65-42		42 A	34 A to 50 A	R 811.00
THT65-54		54 A	43 A to 65 A	R 811.00
<b>TH-T100</b>				<b>K</b>
THT100-67	ST80 ST100	67 A	54 A to 80 A	R 811.00
THT100-82		82 A	65 A to 100 A	R 811.00
THT100-95		95 A	85 A to 105 A	R 811.00
<b>TH-N120TP</b>				<b>K</b>
THN120-42	SN125 SN150	42 A	34 A to 50 A	R 1 195.00
THN120-54		54 A	43 A to 65 A	R 1 195.00
THN120-67		67 A	54 A to 80 A	R 1 195.00
THN120-82		82 A	65 A to 100 A	R 1 195.00
<b>TH-N120TAKP</b>				<b>K</b>
THN120-105	SN125 SN150	105 A	85 A to 125 A	R 1 195.00
THN120-125		125 A	100 A to 150 A	R 1 195.00
<b>TH-N220RHKP<sup>4</sup></b>				<b>K</b>
THN220-82	SN180 SN220	82 A	65 A to 100 A	R 3 256.00
THN220-105		105 A	85 A to 125 A	R 3 256.00
THN220-125		125 A	100 A to 150 A	R 3 256.00
THN220-150		150 A	120 A to 180 A	R 3 256.00
THN220-180		180 A	140 A to 200 A	R 3 256.00
THN220-210 <sup>3</sup>		210 A	170 A to 250 A	R 3 256.00
<b>TH-N400RHKP<sup>2</sup></b>				<b>K</b>
THN400-125	SN300 SN400	125 A	100 A to 150 A	R 4 164.00
THN400-150		150 A	120 A to 180 A	R 4 164.00
THN400-180		180 A	140 A to 220 A	R 4 164.00
THN400-250		250 A	200 A to 300 A	R 4 164.00
THN400-330		330 A	260 A to 400 A	R 4 164.00
<b>TH-N600KP<sup>4</sup></b>				<b>K</b>
THN600-500	SN600, SN800	500 A	400 A to 600 A	R 1 218.00

### Current Transformer Specs for TH-N600kP/F<sup>5</sup>

Heater Designation (A)	Setting Range (A)	Current Transformer Ratio	Transformer Capacity
500 A	400 A to 600 A	750 / 5	15 VA or more

#### Notes:

- For the correct connecting links to contactors see thermal overload accessories
- Connecting links included
- For contactor size SN220 only
- Current transformers not included  
CT Class to be class 1 or better
- Current transformer to be supplied by customer

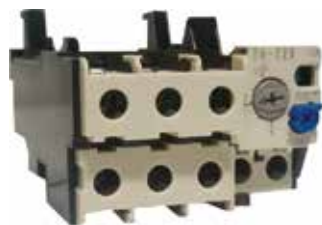
**Accessories**



Connecting Links for TH-N Overloads & S-N + S-T Contactors		K
Type	Contactor Size	Price Ea.
UT-TH21	Connecting links TH-T25 & ST21 / ST25	R 169.00
UT-TH50	Connecting links TH-T25 & ST35 / ST50	R 198.00
4370000	Connecting links TH-T65 & ST50/ ST80 BH559N350	R 243.00
4370006	Connecting links TH-T80 & ST80 / ST100 + Bracket	R 190.00
BH579N355	Connecting links TH-N120KP & S-N125	R 268.00
BH589N355	Connecting links TH-N120TAKP & S-N150	R 268.00
UT-HZ18	Adaptor block for separate mounting of THT18	R 343.00

**Notes:**

TH-N220RHKP have connecting bars and base plate included  
 TH-N400RHKP have connecting bars and base plate included



THT25



THT100

## Mitsubishi Series ET-N



ET-N60

Electronic Motor Protection Relays Type ET-N				K2
Type	Control Voltage	Setting Range	Std. Pack	Price Ea.
<b>ET-N60</b>				<b>K2</b>
ETN60-1-110 or 220	110 / 220 V	0.25 A to 1 A	1	R 2 759.00
ETN60-4-110 or 220		1 A to 4 A	1	R 2 759.00
ETN60-8-110 or 220		2 A to 8 A	1	R 2 759.00
ETN60-20-110 or 220		5 A to 20 A	1	R 2 759.00
ETN60-60-110 or 220		15 A to 60 A	1	R 2 759.00
ETN60-1-400 or 525	400 / 525 V*	0.25 A to 1 A	1	R 3 820.00
ETN60-4-400 or 525		1 A to 4 A	1	R 3 820.00
ETN60-8-400 or 525		2 A to 8 A	1	R 3 820.00
ETN60-20-400 or 525		5 A to 20 A	1	R 3 820.00
<b>ET-N150</b>				<b>K2</b>
ETN150-110 or 220	110 / 220 V	40 A to 150 A	1	R 5 690.00
ETN150-400 or 525	400 / 525 V*			
<b>ET-N360</b>				<b>K2</b>
ETN360-110 or 220	110 / 220 V	110 A to 360 A	1	R 5 912.00
ETN360-400 or 525	400 / 525 V*			

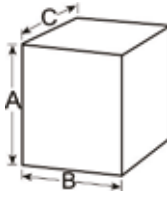
**Notes:**

Motor protection relays type ET-N feature selectable protection mode, i.e. overload, phase reversal protection with selectable tripping time 600 % of setting  
Accessories factory fitted only  
Remote reset

\* Contact CBI for availability

### Mitsubishi Series SH-V

	SH-V160	SH-V320	SH-V400	SH-V600
A		210 mm		290 mm
B		210 mm		285 mm
C		210 mm		225 mm



Medium Voltage Vacuum Contactors Series SH-V up to 1500 V									K1
Type <sup>1</sup>	AC-1	AC-3				Coil Voltage (V)	Standard Aux Contacts		Price Ea.
	Lth (A)	440 V kW (A)	660 V kW (A)	1000 V kW (A)	1500 V kW (A)		Normally Open	Normally Closed	
SH-V160	200	110 (180)	160 (180)	225 (160)	315 (160)	STD: 110 / 220 / 400 / 525	2	2	R 33 264.00
SH-V320	350	200 (320)	315 (320)	450 (320)	700 (320)	STD: 110 / 220 / 400 / 525	2	2	R 33 264.00
SH-V400	450	250 (400)	400 (400)	550 (400)	800 (400)	STD: 110 / 220 / 400 / 525	2	2	R 36 404.00
SH-V600	750	300 (630)	600 (600)	750 (600)	1000 (600)	STD: 110 / 220 / 400 / 525	2	2	R 65 952.00

Note:

- Specify coil voltages

### Spares and Accessories

Medium Voltage Vacuum Contactors Series SH-V up to 1500 V						K1 / K	
Type	Order No.	Replacement Aux Contact		Add On Aux Contact		Price Ea.	Price Ea.
		UAA XV1 (1A,1B) (Fits MNTG Plate)	UAA XV2 (2A,2B)	UAA XV4 (2A,2B) (Fits MNTG Plate)			
SH-V160		R 741.00	R 1 213.00	R 1 976.00			
SH-V320		R 741.00	R 1 213.00	R 1 976.00			
SH-V400		R 741.00	R 1 213.00	R 1 976.00			
SH-V600		R 741.00	R 1 213.00	R 1 976.00			
K	Vacuum Tube Assembly (Set of 3)				Coils	K1	
Type *	Order No.	SHV160TUBE	SHV320TUBE	SHV400TUBE	SHV600TUBE	SN180___C <sup>1</sup> SHV160/320/100	SN300___C <sup>2</sup> SHV600
		Price Ea.				Price Ea.	
SH-V160		R20 054.00	-	-	-	R 2193.00	-
SH-V320		-	R 20 434.00	-	-	R 2 193.00	-
SH-V400		-	-	R 20 434.00	-	R 2 193.00	-
SH-V600		-	-	-	R 21 509.00	-	R 2 884.00

Notes:

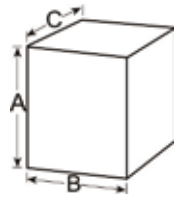
\* Contact CBI for availability

A = Normal Open Contact  
B = Normal Closed Contact

- SHV coils interchangeable with SN180 coils
- SHV coils interchangeable with SN300 coils

## Mitsubishi Series VZ-E

Series VZ-E	
<b>A</b>	367 mm
<b>B</b>	361 mm
<b>C</b>	238 mm



Medium Voltage Vacuum Contactors Series VZ-D (Std. 2 No / 2NC Contactor)										K4
Type <sup>1&amp;2</sup>	Lth (A)	3 Ph. Induction Motor Rating				Transformer Rating				Price Ea.
		3.3 kV kW	3.3 kV (A)	6.6 kV kW	6.6 kV (A)	3.3 kV kW	3.3 kV (A)	6.6 kV kW	6.6 kV (A)	
<b>VZ2-PE-E10</b> (110 Vac / Vdc)	200	35 to 75	20	75 to 160	20	5 / 10	0.87 / 1.75	5 / 10	0.44 / 0.87	R 43 344.00
	200	90 to 200	50	185 to 400	50	20 / 30	3.5 / 5.25	20 / 30	1.75 / 2.62	
	200	220 to 400	100	450 to 800	100	50 / 75	8.75 / 13.1	50 / 75	4.37 / 6.56	
	200	450 to 630	150	900 to 1250	150	100 / 150	17.5 / 26.2	100 / 150	8.75 / 13.1	
	200	710 to 750	200	1500	200	200 / 300	35.0 / 52.5	200 / 300	17.5 / 26.2	
	200	-	-	-	-	500 / 750	87.5 / 13.1	500 / 750	43.7 / 65.6	
	200	-	-	-	-	1000	175	1000 / 1500	87.5 / 131	
	200	-	-	-	-	-	-	2000	175	
<b>VZ4-PE-E10</b> (110 Vac / Vdc)	400	900 to 1250	300	2500	300	1500	262	3000	262	R 59 152.00
	400	1500	400	3000	400	2000	350	4000	350	
<b>VZ2-PE-E20</b> (220 Vac / Vdc)	200	35 to 75	20	75 to 160	20	5 / 10	0.87 / 1.75	5 / 10	0.44 / 0.87	R 45 483.00
	200	90 to 200	50	185 to 400	50	20 / 30	3.5 / 5.25	20 / 30	1.75 / 2.62	
	200	220 to 400	100	450 to 800	100	50 / 75	8.75 / 13.1	50 / 75	4.37 / 6.56	
	200	450 to 630	150	900 to 1250	150	100 / 150	17.5 / 26.2	100 / 150	8.75 / 13.1	
	200	710 to 750	200	1500	200	200 / 300	35.0 / 52.5	200 / 300	17.5 / 26.2	
	200	-	-	-	-	500 / 750	87.5 / 13.1	500 / 750	43.7 / 65.6	
	200	-	-	-	-	1000	175	1000 / 1500	87.5 / 131	
	200	-	-	-	-	-	-	2000	175	
<b>VZ4-PE-E20</b> (220 Vac / Vdc)	400	900 to 1250	300	2500	300	1500	262	3000	262	R 61 937.00
	400	1500	400	3000	400	2000	350	4000	350	

(All accessories are factory fitted only)

## Addition of Auxiliary Contacts

Description of Additional Contactors that may be fitted to the Standard Products			K4
Type	Description	Price Ea.	
<b>VZMOD1</b>	Additional 2N/O and 2N/C contacts with external pre-wired terminal strip	R 4 228.00	
<b>VZMOD2 (110 Vac)</b>	Additional 4N/O and 4N/C contacts with external pre-wired terminal strip	R 6 660.00	
<b>VZMOD3 (220 Vac)</b>	Additional 2N/O and 2N/C contacts with external pre-wired terminal strip	R 6 660.00	

### Notes:

1. Available coil voltages are:

- 110 Vac
- 220 Vac

VZ2 = 200 A

VZ4 = 400 A

E10 = 110 Vac / Vdc control

E10 = 220 Vac / Vdc control

2. Standard aux contacts fitted are 2N/O and 2N/C

Aux contact ratings are 1 A @ 220 Vac and 110 Vdc

Extra aux contacts can be fitted

All accessories are factory fitted only



## Mitsubishi Series TEK Terminal Blocks



Terminal Blocks					E
Type	Current Rating (A)	No. of Ways	Rated Voltage	Wire Size mm <sup>2</sup> Max	Price Ea.
TEK1.25-12 *	10	12	250	1.25	R 99.00
TEK1.25-3	10	3	250	1.25	R 47.00
TEK2-3	15	3	660	2.5	R 60.00
TEK2-6	15	6	660	2.5	R 62.00
TEK2-9 *	15	9	660	2.5	R 120.00
TEK2-12	15	12	660	2.5	R 122.00
TEK2-20 *	15	20	660	2.5	R 184.00
TEK5.5-3	30	3	660	6.0	R 62.00
TEK5.5-12 *	30	12	660	6.0	R 152.00
TEK14-3	60	3	660	16.0	R 76.00
TEK14-4	60	4	660	16.0	R 116.00
TEK22-3	80	3	660	25.0	R 144.00
TEK22-4	80	4	660	25.0	R 184.00
TEK60-3	150	3	660	70.0	R 208.00
TEK60-4	150	4	660	70.0	R 289.00
TEK100-3	225	3	660	120.0	R 350.00
TEK100-4	225	4	660	120.0	R 470.00
TEK200-3	400	3	660	180.0	R 940.00
TEK400-3 *	800	3	660	120 x 2	R 4 611.00

**Notes:**

\* Contact CBI for availability  
Order number = type number