

Domestic Contactor (SAK)



SAK
CBI Mini Rail

Features

- Compact size
- Convenient mounting – clips into CBI Mini Rail
- On / Off indicator
- Standard coil voltage 220 / 240V AC 50 / 60 Hz
- Contact rating at 220 / 240V AC 50 / 60 Hz

Applications

- For frequent switching duty and control of higher current appliances

Technical Data

Table 1		
Load Type	Max Current (A)	Max Operations at 50 per Hour
Inductive	5	150 000
Resistive	16	30 000
Resistive	20	150 000

Table 2		
No of Poles in Parallel	Inductive Load AC3	Resistive Load AC1
2	6 A	20 A
3	10 A	30 A
4	13 A	40 A

Note: 1. The maximum ratings shown above can be increased as shown in table 2, by connecting two or more poles in parallel with a bridging piece.

2. Leave bridging piece connected when using single phase supply

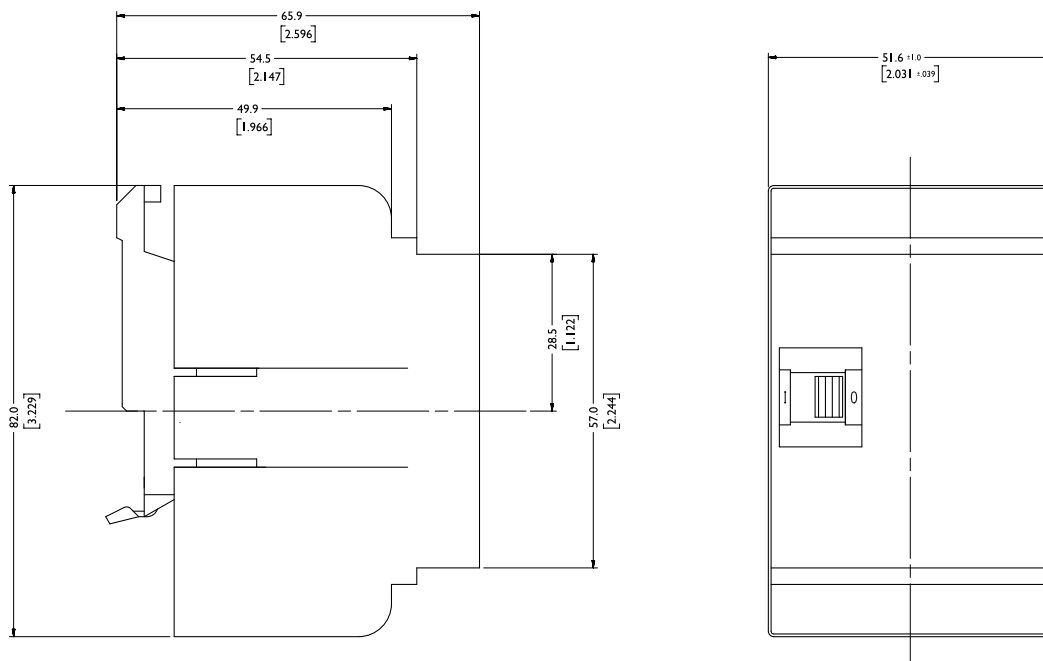
Product Type	SAK
Operating Temperature Range	-40 °C to +85 °C
Mounting Options	CBI Mini Rail, TC4 surface mounted enclosure
Weight	190 g (unpacked)
Humidity	35 to 85% relative
Altitude	Certification tests done at altitude ≈ 2000 metres. Will operate at higher altitudes.
Flammability	I3 - Ignition does not persist at 850 °C after glow wire is withdrawn with an oxygen index of ≥ 28
Toxicity	F1 - Smoke index of ≤ 20 which determines the fume class
Pollution Degree	PD2 - Normally only non-conductive pollution occurs. Temporary conductivity caused by condensation is to be expected.

Domestic Contactor (SAK)

Ordering Information

Domestic Contactor (4 Pole Bridged Unit)			
Product	Description	Std. Pack	Order No.
SAK	Contactor 220 / 240V AC - 4 Poles	5	SAKR001

Dimensional Drawing: Domestic Contactor

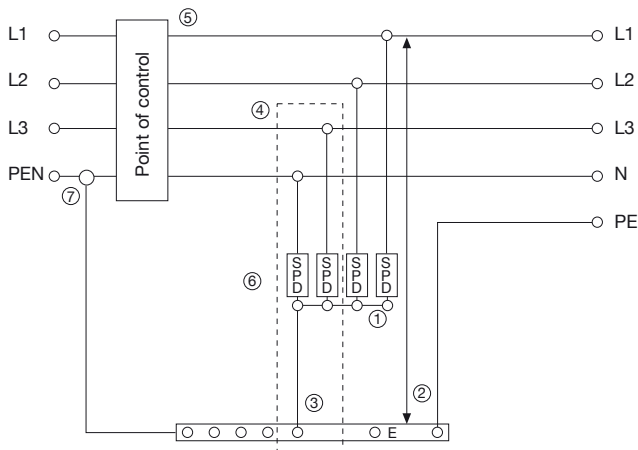


TOLERANCE ±0.4 UNLESS OTHERWISE SPECIFIED
(DIMENSION IN BRACKETS ARE IN INCH)

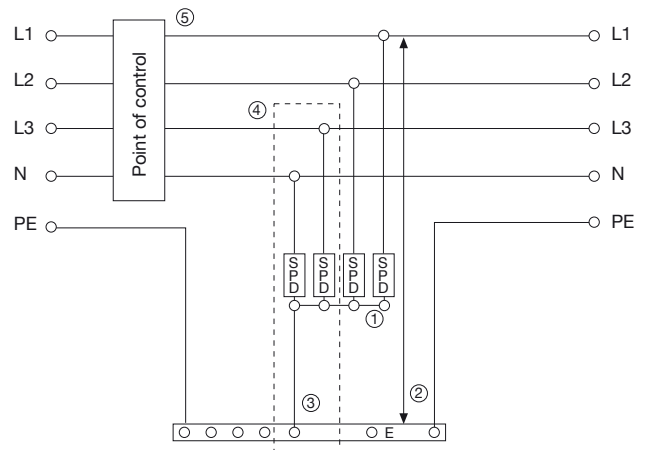
Domestic Contactor (SAK)

Wiring Precautions

- For maximum efficiency, the installation should be earthed according to SANS 61312
- If the distance of N and E is > 20 m from the separating point "P" on a TN-C-S system, use a two pole device (1+N)
- (For details refer to SANS 10142-1)

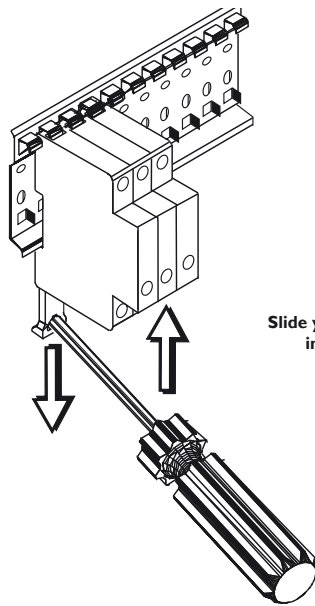


TN-C-S

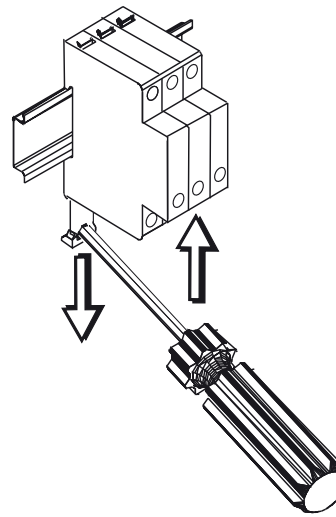


TN-S*

Mounting and Installation



Mini Rail



DIN Rail

Slide yellow clip up and down as indicated to install and remove the unit

Please review our Customer Terms and Conditions on www.cbi-lowvoltage.co.za

© 2016.09 CBI (Pty) Ltd. All Rights Reserved.

All rights reserved. Unless otherwise indicated, all materials on these pages are copyrighted by CBI (Pty) Ltd. No part of these pages, either text or image may be used for any purpose other than personal use. Therefore, reproduction, modification, storage in a retrieval system or retransmission, in any form or by any means, electronic, mechanical or otherwise, for reasons other than personal use, is strictly prohibited without prior written permission. CBI (Pty) Ltd reserves the right to alter any details of this document without notice and while every effort is made to ensure the accuracy of the content, no warranty is given as to the accuracy of this document and no responsibility will be accepted for error or misinterpretation and any resulting loss.

AUSTRALIA

CBI-electric: Australia
 27 Wedgewood Rd, Hallam
 Victoria 3803 Australia
 Tel: +61 3 8752 9300
 Fax: +61 3 9796 5407
 Email: sales@cbi-electric.com.au
 Website: www.cbi-electric.com.au

SOUTH AFRICA

CBI-electric: low voltage
 Tripswitch Drive Elandsfontein
 Gauteng South Africa
 Tel: +27 11 928 2000
 Fax: + 27 11 392 2354
 Email: cbi@cbi-electric.com
internationalsales@cbi-electric.com
 Website: www.cbi-lowvoltage.com

USA

CBI-electric: North America
 35 E. Uwchlan Ave Suite 328
 Exton PA 19341 USA
 Tel: +1 610 524 9949
 Fax: +1 610 524 9945
 E-mail: info@cbibreakers.com
 Website: www.cbibreakers.com