

## QAT-TRDM – ELECTRONIC TIME SWITCH

### Installation and Programming Guide

#### General

The programmable time switch can be used to automatically control pool pumps, lights, geysers, etc.

#### Important Notes

1. During a power failure, the Ⓢ symbol is displayed and the time switch enters standby.
2. The time switch has a backup power feature which requires 30 minutes to charge.
3. In the event of a power failure, a fully charged time switch will keep time for up to 24 hours. The programmed schedule is always retained.
4. CBI advises that the time switch be installed by a suitably qualified person.



#### Installation

1. Isolate supply power before installing time switch.
2. Install the time switch on either mini rail or DIN rail (remove the escutcheon clip for DIN).
3. Connect the time switch according to Figure 1 or Figure 2. Use a suitable contactor (Figure 3) if necessary to switch higher current. Observe markings for Line and Neutral poles.
4. Apply power and set the time and desired program schedule (see overleaf).

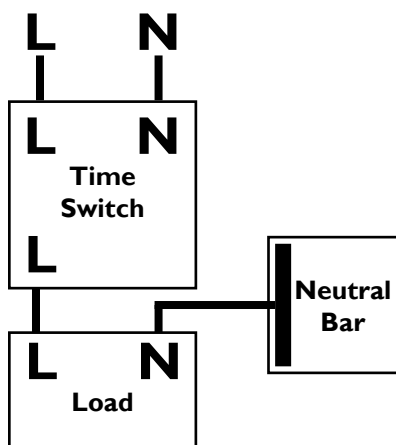


Figure 1: DB wiring

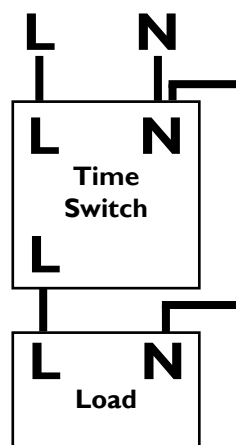


Figure 2: Stand alone wiring

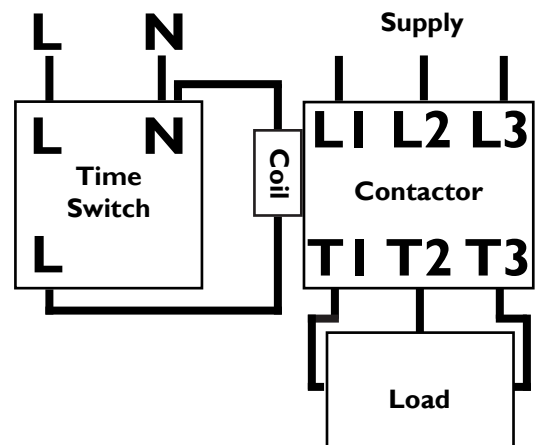


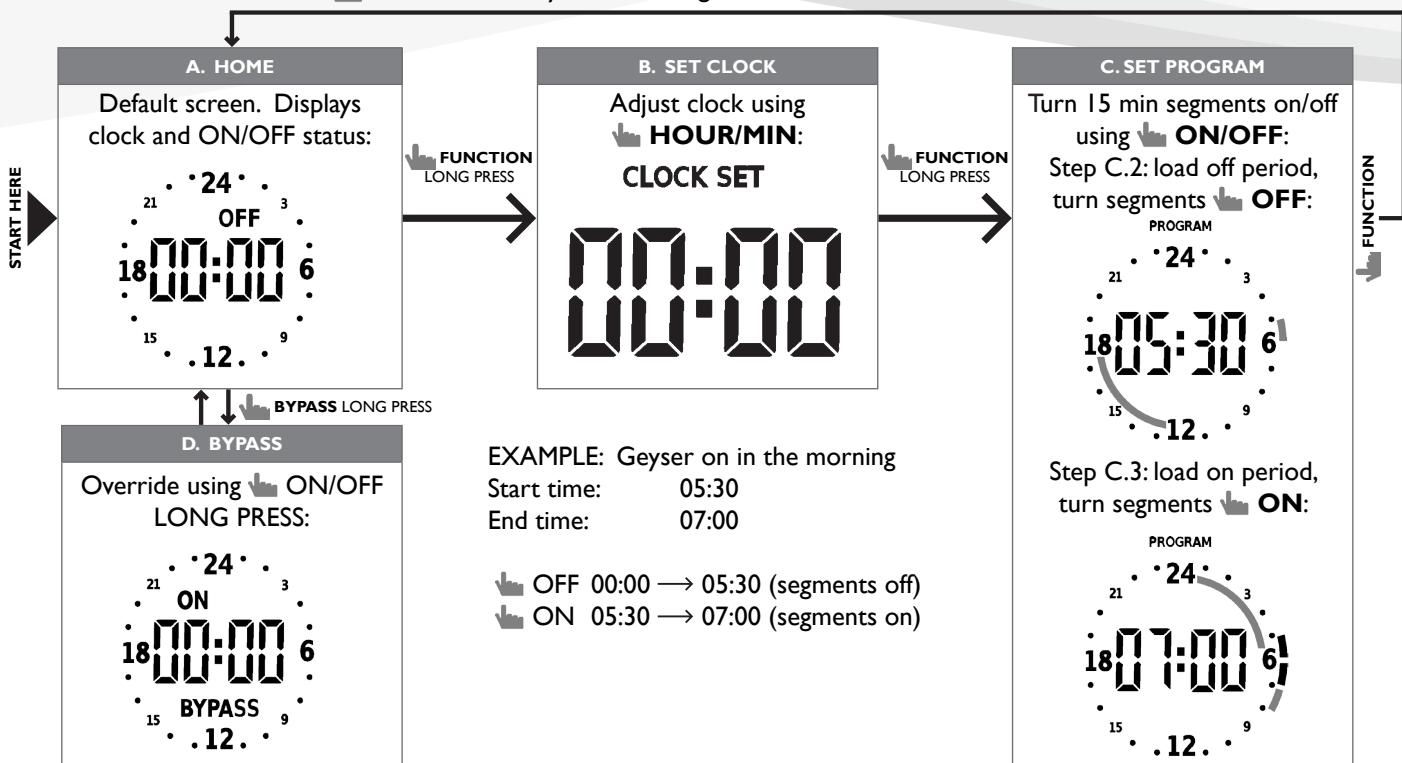
Figure 3: Wiring a contactor for loads greater than 21 A resistive or 10 A inductive

#### Technical Data

Parameter	Specification
Supply Voltage	230 V <sub>RMS</sub> 50 Hz, 1Ph
Maximum Load	Resistive (Geysers, under floor heating, lights) 21 A Inductive (Pool pump, air conditioners) 10 A
Contact Endurance	25 000 (minimum) Operations
Degree of Ingress Protection	IP41 (not waterproofed)
Operating Temperature	-20 °C to +55 °C
Single Segment Period	15 min.
Maximum Period for all Segments	96 x 15 min. Segments
Clock Accuracy	± 3 min. per month
Time Retention (Power Outage)	24 h

# Programming Instructions

**NEW TOUCH BUTTONS** Use the flesh of your index finger on the screen



## A. Home Screen

The home screen displays the current time and the switch on/off status according to the program schedule.

## B. Setting the Clock

1. From the Home screen, press and hold **FUNCTION** until **CLOCK SET** is displayed.
2. Press the **HOUR** and **MINUTE** buttons to set the clock to the current time.
3. Press **FUNCTION** to store the time.

## C. Setting the Program Schedule

- ☀ Decide when your load should be on e.g. a geyser on from 05:30 to 07:00.
1. From the Home screen, press **FUNCTION** until **PROGRAM** is displayed. The cursor starts at 00:00.
  - ☀ A program schedule is built up by turning segments on when the load must be on. Before reading further, see the clock diagram of segments on the right.
  2. Set all time segments prior to your scheduled start to off\*, by repeatedly pressing (or holding) **OFF** until the clock indicates the start time e.g. 05:30.
  3. Set all time segments during the schedule to on, by repeated pressing (or holding) **ON** until the clock indicates the end time e.g. 07:00.  
As you advance the cursor, it will leave a trail of turned-on segments, representing the program.
  - ☀ You may repeat steps 2 and 3 for additional schedules e.g. geyser also on from 18:15 to 21:00.
  4. Press **FUNCTION** to store the new program and return to home screen.

### Notes:

- ☀ If any 15 minute segment within a particular hour is set, that hour segment will be lit.
- ☀ The schedule will be repeated daily.
- ☀ \* Use the **HOUR** button to step the cursor one hour at a time, without altering the program. This is handy to review your program.

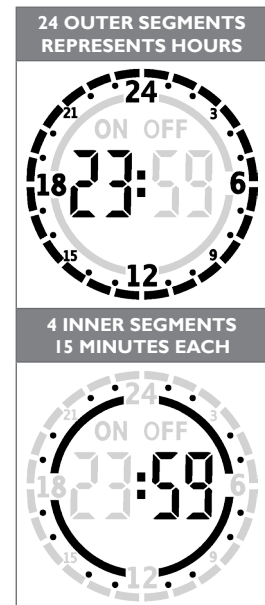
## D. Manually Bypass the Program Schedule

To override the normal program e.g. to keep the geyser off over a weekend away:

1. From the home screen, long press **BYPASS** until **BYPASS** is displayed.
2. Then select ON or OFF as desired with a long press **ON/OFF**.

To return to normal time switch operation:

1. Long press **BYPASS** again to return to home screen.



Please review our **Customer Terms and Conditions** on [www.cbi-lowvoltage.co.za](http://www.cbi-lowvoltage.co.za)

All rights reserved. Unless otherwise indicated, all materials on these pages are copyrighted by CBI (Pty) Ltd. No part of these pages, either text or image may be used for any purpose other than personal use. Therefore, reproduction, modification, storage in a retrieval system or retransmission, in any form or by any means, electronic, mechanical or otherwise, for reasons other than personal use, is strictly prohibited without prior written permission. CBI (Pty) Ltd reserves the right to alter any details of this document without notice and while every effort is made to ensure the accuracy of the content, no warranty is given as to accuracy of this document and no responsibility will be accepted for error or misinterpretation and any resulting loss.

## SOUTH AFRICA

**CBI-electric: low voltage**  
Tripswitch Drive Elandsfontein  
Gauteng South Africa  
Tel: +27 11 928 2000  
Fax: + 27 11 392 2354  
Email: [cbi@cbi-electric.com](mailto:cbi@cbi-electric.com)  
Website: [www.cbi-lowvoltage.co.za](http://www.cbi-lowvoltage.co.za)

A member of the **REUNERT** Group